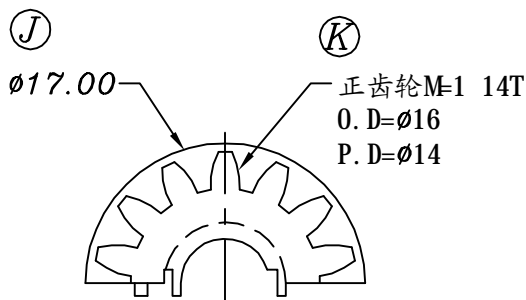
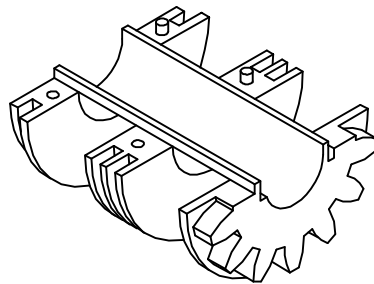
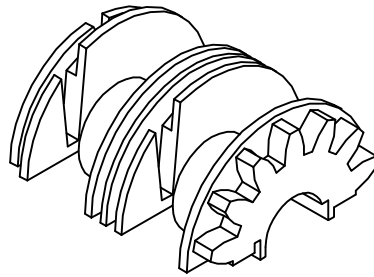
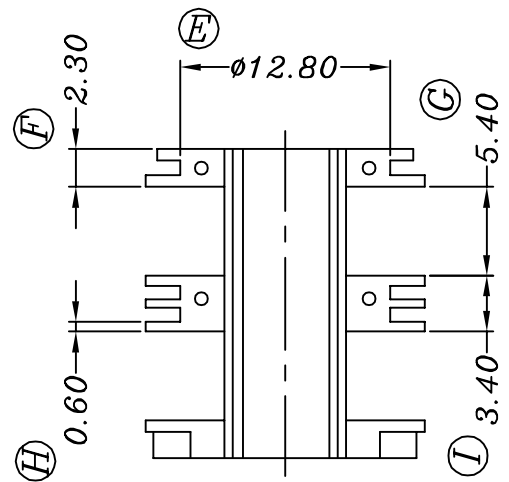
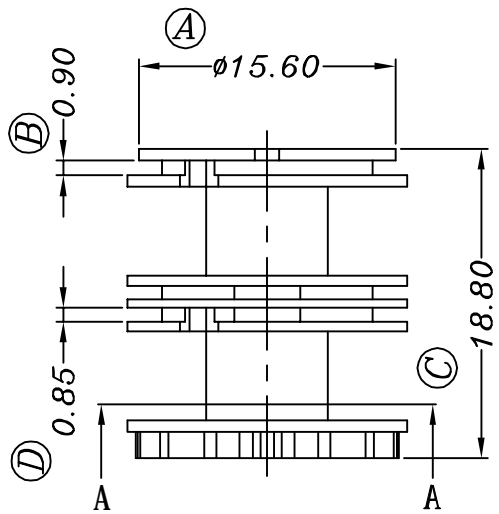
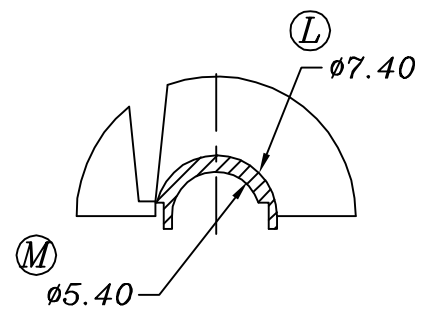


FWB2403



正齿轮M=1 14T
O. D=φ16
P. D=φ14



SECTION A-A

REV	REVISION RECORD	DATE	REV	REVISION RECORD	DATE
A			C		
B			D		

NAME	ET24 BOBBIN 2SEC	MATERIAL	PLASTIC	SCALE	2/1	ANGLE	±1°
DRAWING NO.	FWB2403	PIN MATERIAL		UNIT	m/m	REV	A
TOLERANCE OF PIN PITCH ±0.20				HAINING FERRIWO ELECTRONICS CO.,LTD. TEL: +86-573-87088701 FAX: +86-573-87081130 Web: www.ferriwo.com Email: sales@ferriwo.com			
PIN TENSION LOAD kg MN		UL REC: 94V-0					
TOLERANCE: 0<L≤4: ±0.2 4<L≤16: ±0.3 16<L≤63: ±0.4							